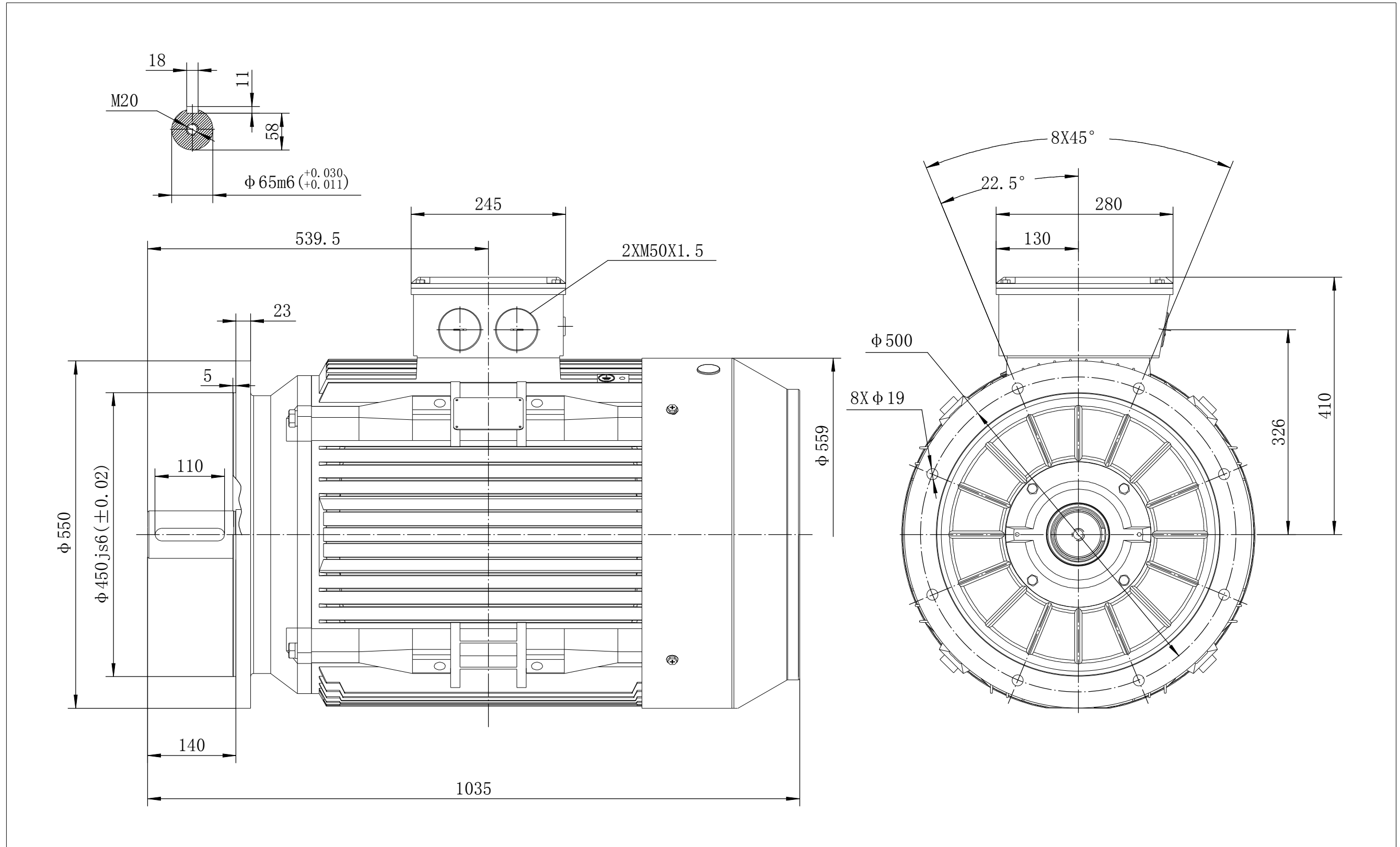


OUTLINE DIMENSIONAL DRAWING



TECHTOP AUSTRALIA PTY LTD	
FRAME	TCI 280M-2 B5
DATE	DRAWING NO.
2012/05/10	1HMY. 010. T096B